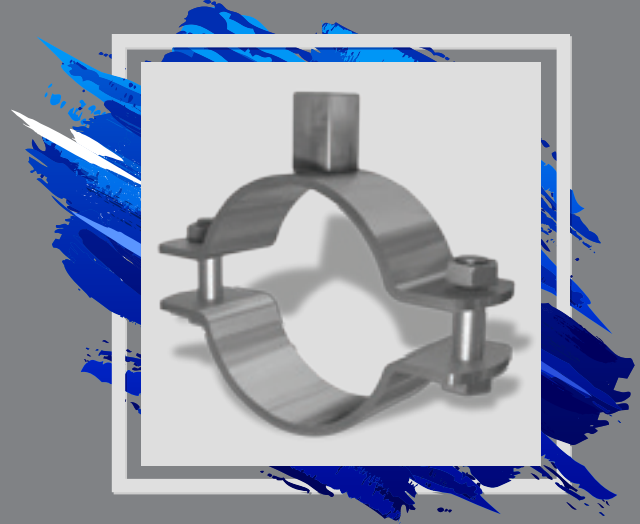


Piping Solutions

SUPPORTING SYSTEM



DESCRIPTION

Pipe Clamps and Hangers from SFSP used in the support of pipes and equipments are manufactured according to the highest standards of fabrication. A diversified choice of Pipe Hangers, Pipe Clamps, EMT Straps, Omega Clamps, Beam Clamps, J and U-Bolts and Threaded Accessories.

APPLICABLE STANDARDS

- BS 3974 Specifications for pipe hangers and support
- ASTM F 708 (standard practice for design and installation of rigid pipe hangers)
- Federal Specifications
WW-H-171 E (Hanger and Support)
A-A-1192 A (Bracket, Pipe)



- Manufacturers Standardization Society (MSS)

ANSI/MSS SP-58 Pipe Hangers and Supports - Materials, Design, Manufacture, Selection, Application, and Installation

MSS SP-69 Pipe Hangers and Support-Selection and Application

MSS SP-77 Guidelines for Pipe Support Contractual Relationships

MSS SP-89 Pipe Hangers and Support-Fabrication and Installation Practices

MSS SP-90 Guidelines for Terminology for Pipe Hangers and Support

MSS SP-127 Bracing for Piping Systems Seismic - Wind - Dynamic Design, Selection, Application

Pipe hangers offered in this section are designed to support pipes allowing for vertical adjustment and limited movement in the piping system.

- Material: Carbon Steels are used in the manufacturing of pipe hangers.
- Load Data: The load data published includes a safety factor of 4.0 unless noted (safety factor = ratio of ultimate load to the design load).

SUPPORTING SYSTEM

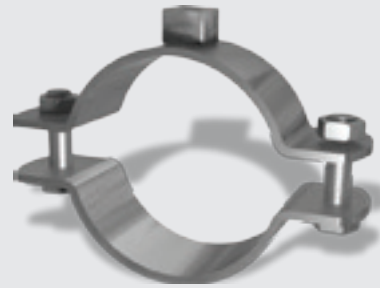
SPLIT PIPE CLAMP WITH LONG NUT M8/ M10 WITHOUT RUBBER GASKET

- Material: Steel S235
- Service: Multifunction screw with hexagonal combination head (slot & crosshead), c/ w retaining washer
- Finish: Electro Zinc Plated Split Pipe Clamp with Long Nut M8/ M10 without rubber gasket



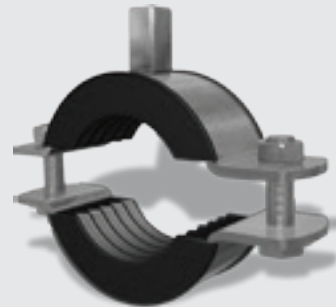
SPLIT PIPE CLAMP WITH STANDARD NUT M8 WITHOUT RUBBER GASKET

- Material: Steel S235
- Service: Economy option
- Finish: Electro Zinc Plated



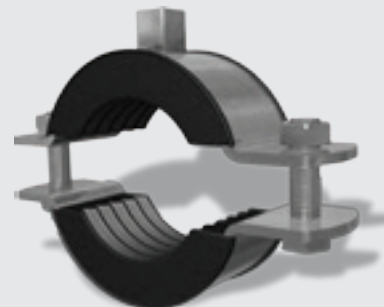
SPLIT PIPE CLAMP WITH RUBBER WITH LONG NUT M8/ M10

- Material: Steel S235
- Service: EPDM rubber insulation for sound reduction compliant with DIN 4109
- Finish: Electro Zinc Plated



SPLIT PIPE CLAMP WITH RUBBER WITH STANDARD NUT M8

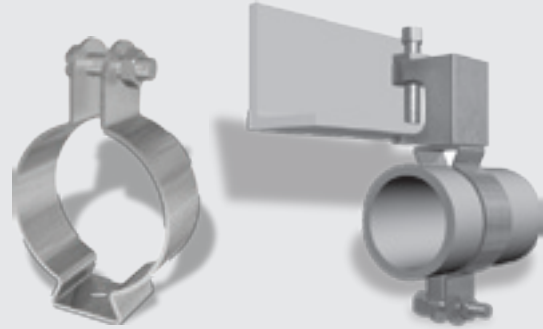
- Material: Steel S235
- Service: EPDM rubber insulation for sound reduction compliant with DIN 4109
- Finish: Electro Zinc Plated



SUPPORTING SYSTEM

OMEGA CONDUIT & PIPE CLAMP

- Material: Steel S235
- Service: Designed for hanging conduit (rigid or EMT) to beam clamps, available with or without closure bolt
- Finish: Electro Zinc Plated



CHANNEL CLAMP

- Material: Steel S235
- Service: For mounting (rigid or EMT) and steel pipes on C-Channels
- Finish: Electro Zinc Plated or Hot-dip Galvanized



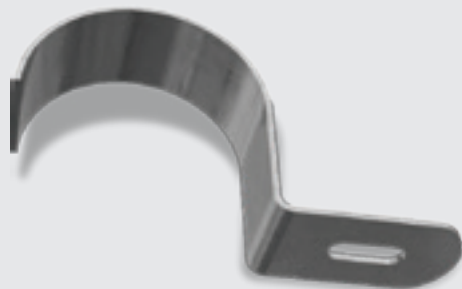
PIPE STRAP

- Two-Hole Pipe Strap/ U-Clip
- Material: Steel S235
 - Service: Designed for supporting pipe runs on walls and on C-Channels
 - Finish: Electro Zinc Plated



ONE-HOLE PIPE STRAP <SNAP TYPE>

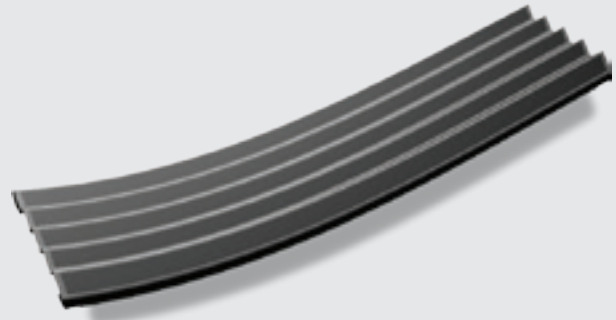
- Material: Steel S235
- Service: Designed for supporting standard conduits, cable and steel pipes on walls or sides of beams or on C-Channels
- Finish: Electro Zinc Plated



SUPPORTING SYSTEM

NOISE SUPPRESSION PROFILE

- Material: EPDM. Rubber
- Load Data: At normal frequency and pressure range, noise suppression 20 dB(A) & the temperature-resistant from -40 °C to + 100 °C
- Electrical values: Specific resistance: 2×10^9 M ohm cm² & the Surface resistance: 2×10^9 M ohm



CLEVIS HANGER

- Material: Steel S235
- Finish: Electro Zinc Plated or Hot-dip Galvanized



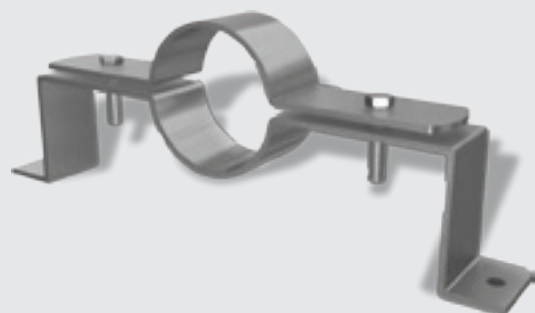
ADJUSTABLE BAND HANGER

- Material: Steel S235
- Finish: Electro Zinc Plated or Hot-dip Galvanized



OFFSET PIPE CLAMP

- Material: Steel S235
- Service: Designed for supporting and stabilizing vertical pipe runs
- Finish: Electro Zinc Plated or Hot-dip Galvanized



SUPPORTING SYSTEM

C-CLAMP

- Material: Malleable Cast Iron Zinc plated
Casting tolerance according to DIN 1684 GTA/17 with hexagon head screw DIN 933 8.8, threaded end with cup point according to EN ISO 4753 and locknut DIN 439 for sprinkler systems, heating, ventilation and air conditioning, acoustic tubes and sanitary installation machines and steel constructions. Safety Factor



STEEL BEAM CLAMP OPEN

- Material: Steel S235
- Service: Designed for attaching hanger rods to the top or bottom flange of a beam
- Finish: Hot-dip Galvanized
- Ordering: Specify flange width and thickness
- Steel Size: 5X30 mm



STEEL BEAM CLAMP CLOSED

- Material: Steel S235
- Service: Designed for attaching hanger rods to the top or bottom flange of a beam
- Finish: Hot-dip Galvanized
- Ordering: Specify flange width and thickness
- Steel Size: 5X30 mm, 5X40 mm



WINDOW BEAM CLAMP

- Material: Steel S235
- Service: Designed for attaching C-Channel to a top or bottom flange of a beam
- Finish: Electro Zinc Plated
- Steel Size: 6x90 mm



LOCATION

Al Waab City – Salwa Road, 1st Floor, Office No.A, Above HSBC Bank
P.O. Box: 23910 Doha-Qatar
Phone: Tel : +974 4451 3301/02/03
Fax: +974 4451 3305
Email: contact@unitech-qatar.com

